

# NMA Annual Convention & Scientific Assembly

August 11-15, 2018

Rosen Shingle Creek Hotel\_Gatlin Ballroom BC  
Orlando, Florida



Show Information	
Show Name	NMA Annual Convention & Scientific Assembly
Show Dates	08/11-15/18
Move-In	08/11/18
Job #	F186320818
AE	Randy Hilkert

Inventory as of 11/07/2017			
Dimension	Size	Qty	SqFt
10'x10'	100	146	14,600
10'x20'	200	2	400
20'x20'	400	1	400
30'x80'	2,400	1	2,400
Totals:		150	17,800

Icon	Floor Plan Legend
	PREMIUM BOOTHS
	COLLEAGUE NETWORKING LOUNGE
	?
	?
	?

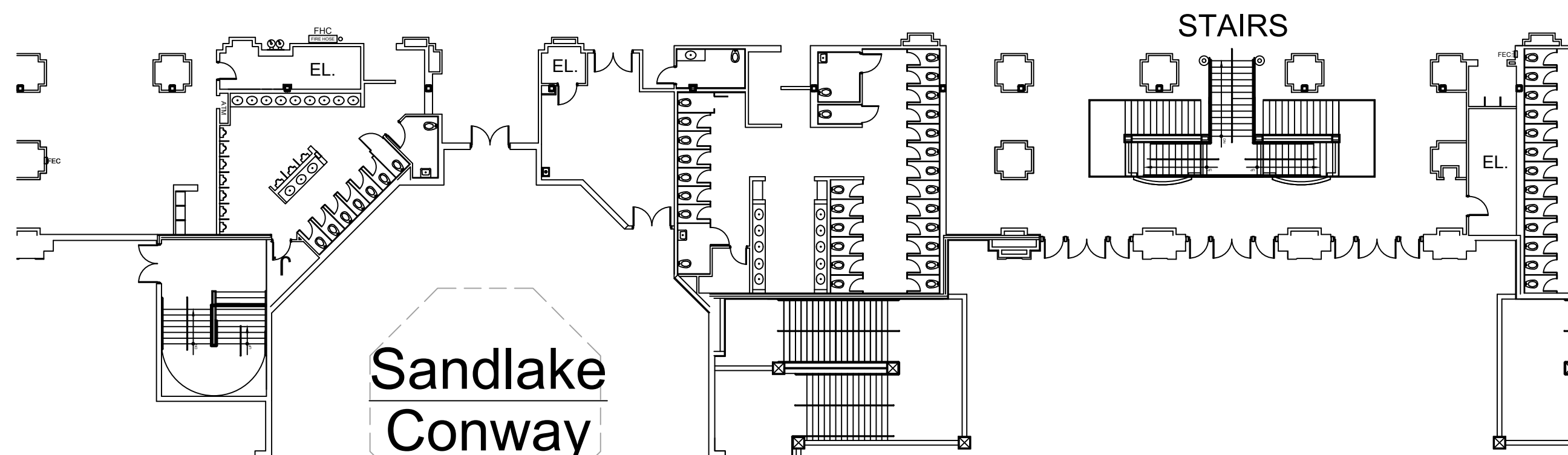
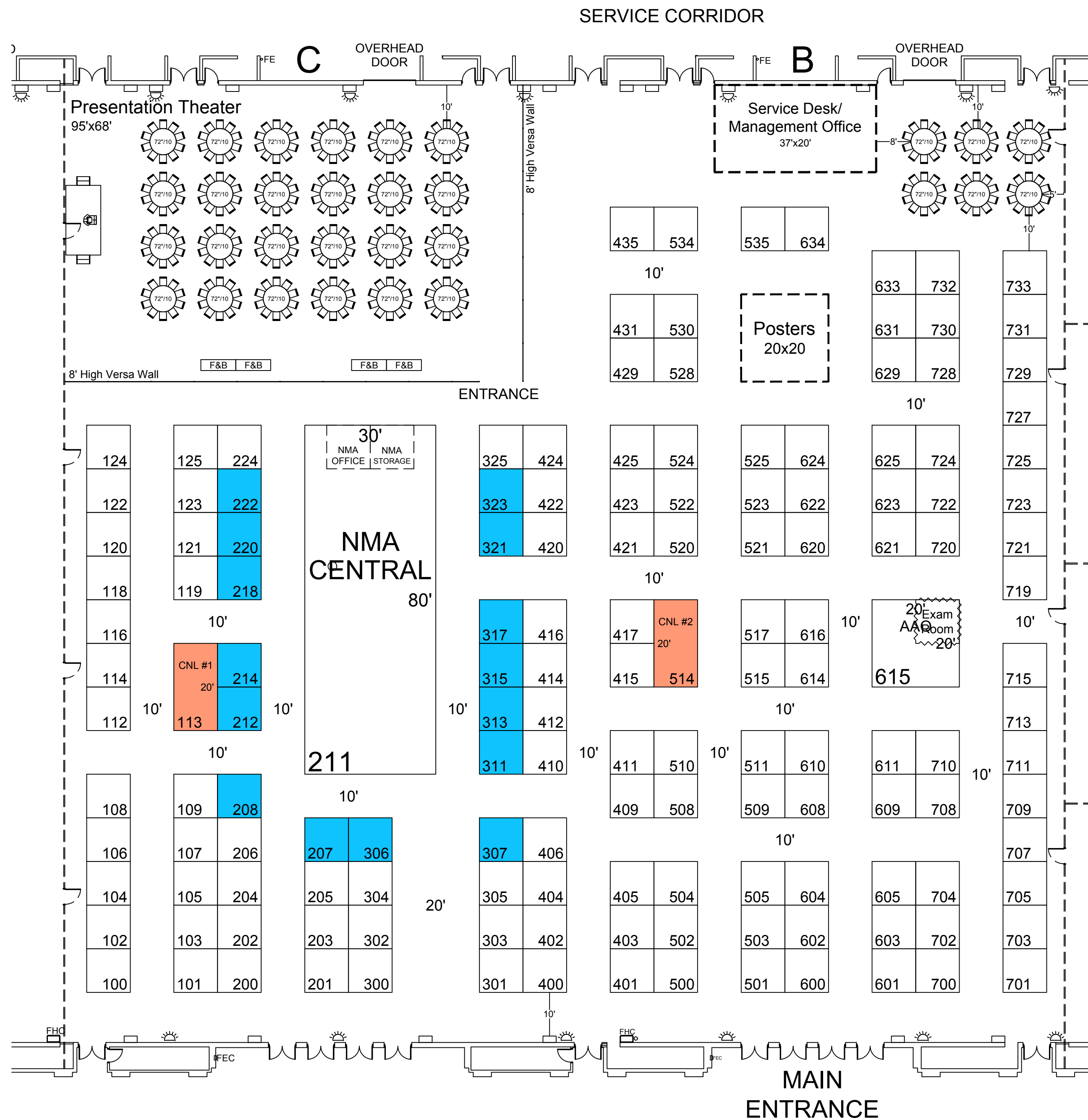
Venue Info	
Building Name	Rosen Shingle Creek Resort
Hall	Gatlin Ballroom BC
Floor	Floor
Address	9939 Universal Blvd Orlando FL 32819

Drawing Information	
File Path	J:\SES Floorplans\01_SES SHOW FLOORPLANS\2018\08_August
File Name	08_NMA Annual Conv_F186320818.dwg
Drawn By	JIP
Last Saved	11/2/2017 10:35 AM
Saved By	Jperez
Tab	Floorplan
Paper Size	ARCH full bleed C (24.00 x 18.00 Inches)
Scale	? = 1'-0"

Fire Marshal Info	
Exhibit Type	Trade Show
Booth	Size
	See Inventory
Materials	Pipe & Drape
Contact	Name
	Kim Collins
Number	404-720-8687
Occupancy	Occupancy Load
	?
Total Sq.Ft. of Show	?

1531 Carroll Drive NW  
Atlanta, GA 30318  
(v) 404-720-8600  
(f) 404-720-8750

11/7/2017 10:04 AM JESSICA PEREZ



Shepard Exposition Services has made every effort to ensure the accuracy of all information contained on this floor plan. However, no warranties, either expressed or implied, are made with respect to this floor plan. If the location of building columns, utilities or other architectural components of the facility is a sole responsibility of the exhibitor/show management to physically inspect the facility to verify all dimensions and locations.

**SUBJECT TO FIRE MARSHAL APPROVAL**  
FLOORPLAN SUBJECT TO CHANGE